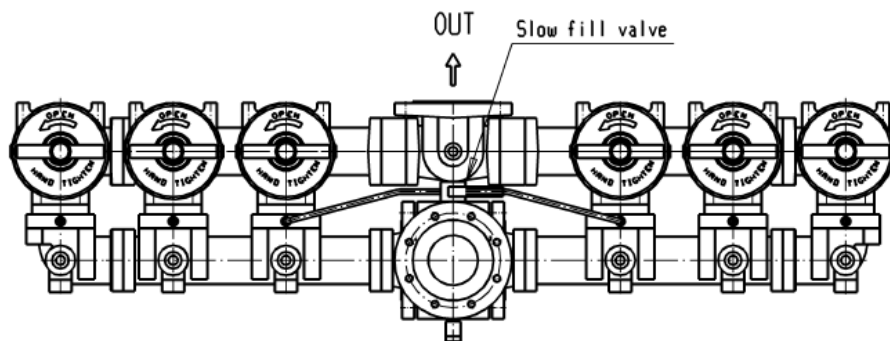


TYPE	A
Length 2	780
Length 3	1340



**130S L-system 3+3**  
Dimensional drawing

Dimensions in mm

